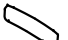


<p>① Head : GON1</p> <p>Headrest steel bracket</p> <p>Hanger</p>	<p>② Back : GON2</p> <p>Backrest supporter</p> <p>Backrest</p> <p>Backrest cap</p> <p>Backrest connector</p>	<p>③ Seat : GON3</p>	<p>G1</p>	
<p>④ Armrest : GON4-0201(L) GON4-0211(R)</p>	<p>⑤ Mechanism : ???</p>	<p>⑥ J-Bar frame : PMX5-2111</p>		
<p>⑧ Base : AON7-0201</p>	<p>⑨ Caster : DAW8-0201</p>	<p>⑦ Gas lift : B2-108-435192BBB</p>		
			<p>⑩ Bolt (6X45=6EA) ⑪ Bolt (6X40=2EA) ⑫ Bolt (6X30=2EA) ⑬ Bolt (8X20=3EA) ⑭ Bolt (6X16=2EA)</p> <p>⑮ Bolt (6X16=4EA) ⑯ Bolt (5X12=2EA) ⑰ Bolt (4X20=1EA)</p>	

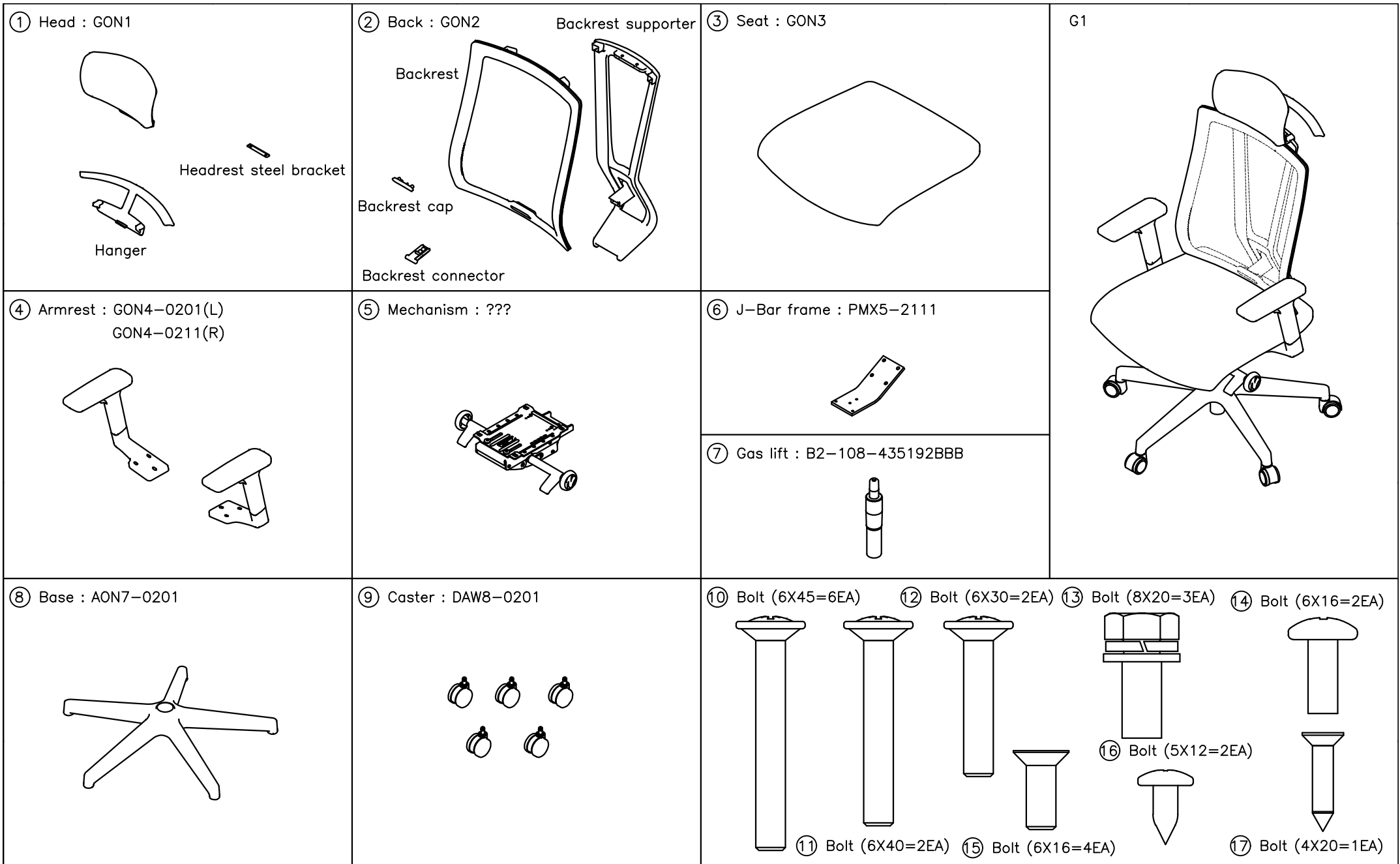
NOTE



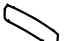
Headrest cover cap

\*G1 P.U. foam for Seat(Pro max Seat inner shell)

Designed by	Checked by	Approved by	Title	<b>G1</b>	
			Model	???	
			Date	2018. 03. 07.	
			<b>DAWON</b> CHAIR®	Unit	Scale
				mm	1 / 15

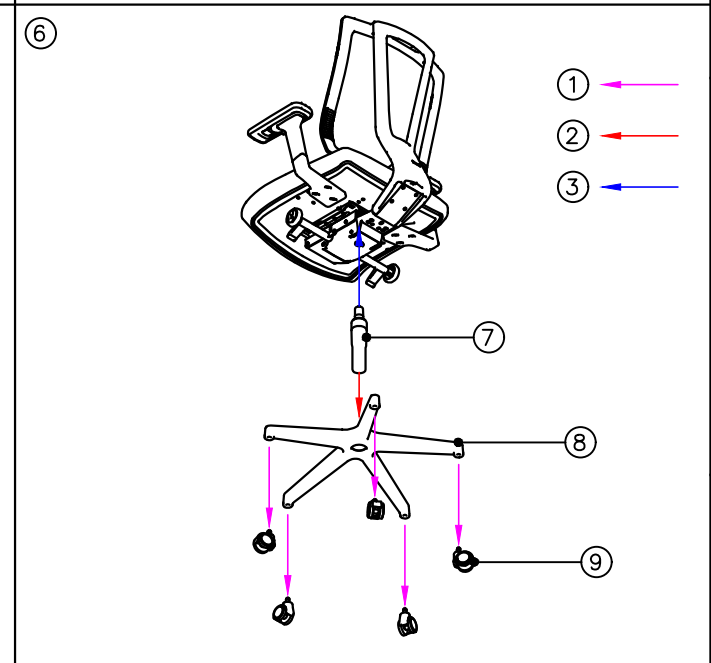
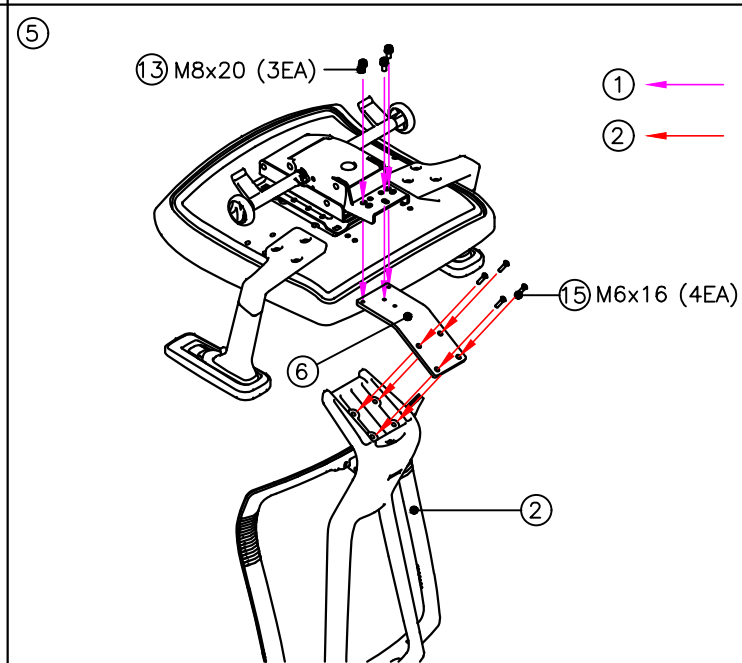
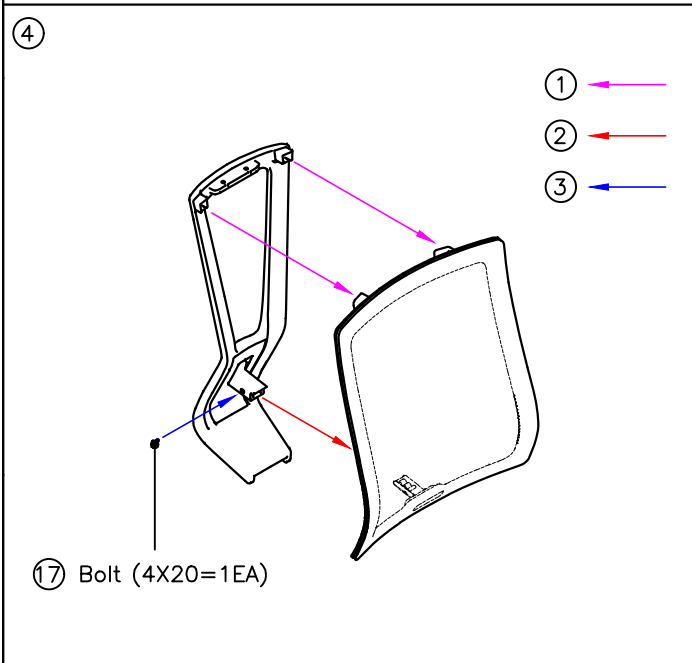
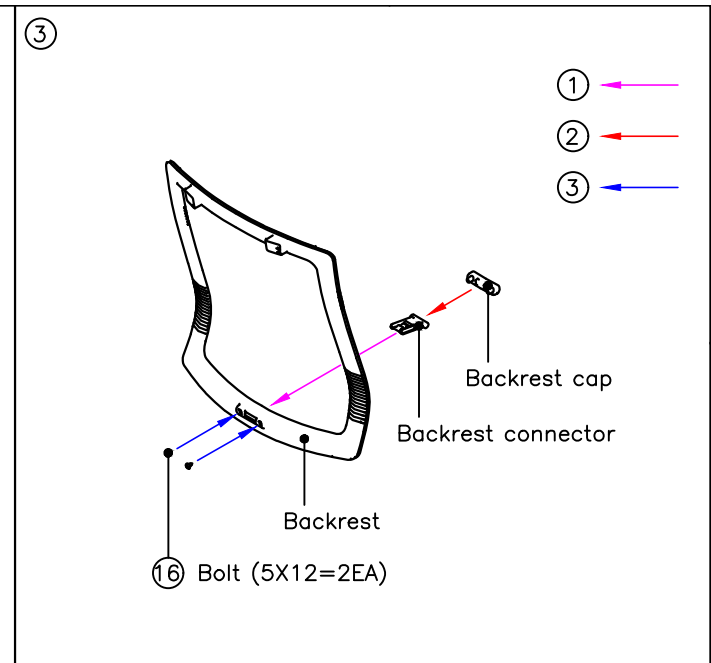
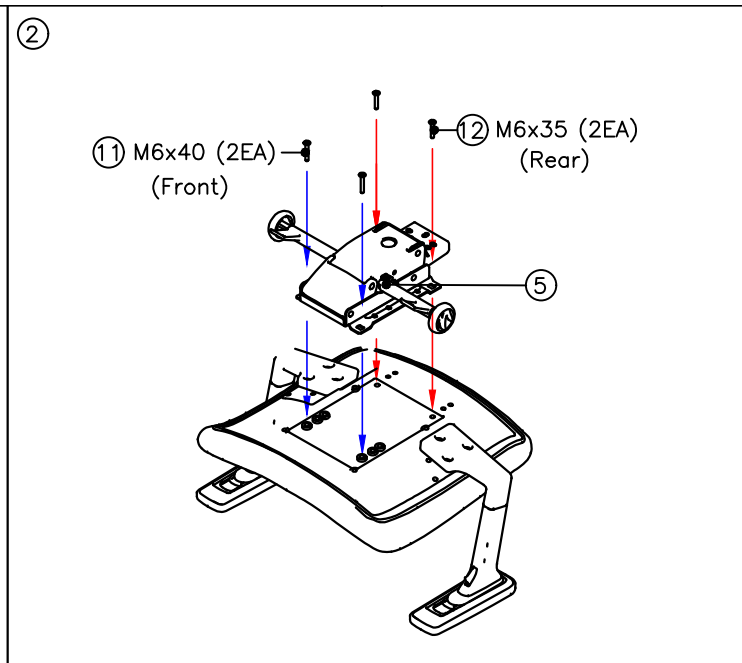
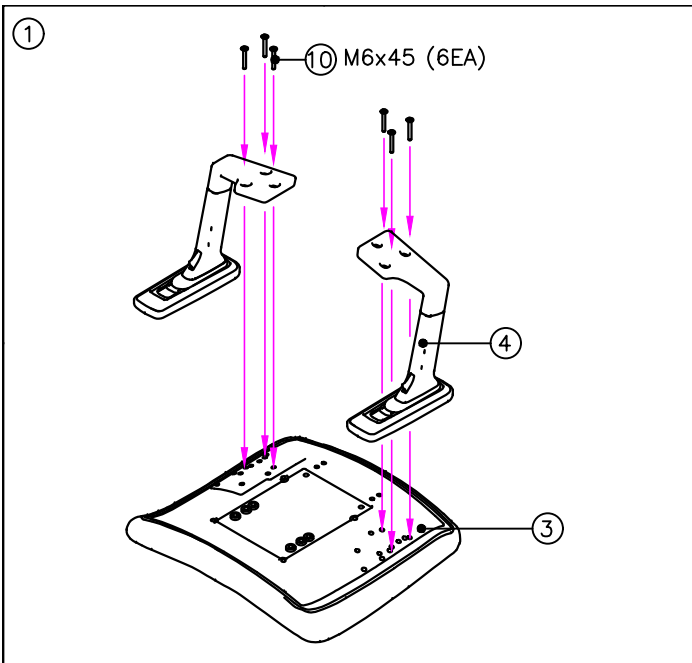


NOTE

 Headrest cover cap

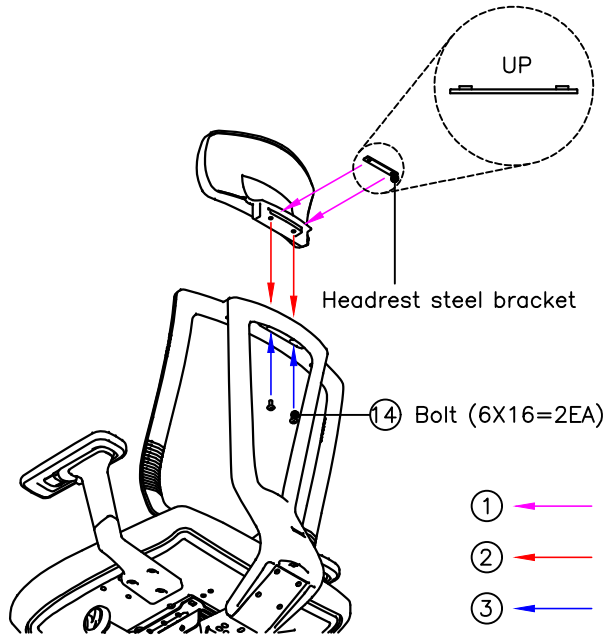
\*G1 P.U. foam for Seat(Pro max Seat inner shell)

Designed by	Checked by	Approved by	Title	<b>G1</b>	
			Model	???	
			Date	2018. 03. 07.	
			<b>DAWON</b> CHAIR®	Unit	Scale
				mm	1 / 15

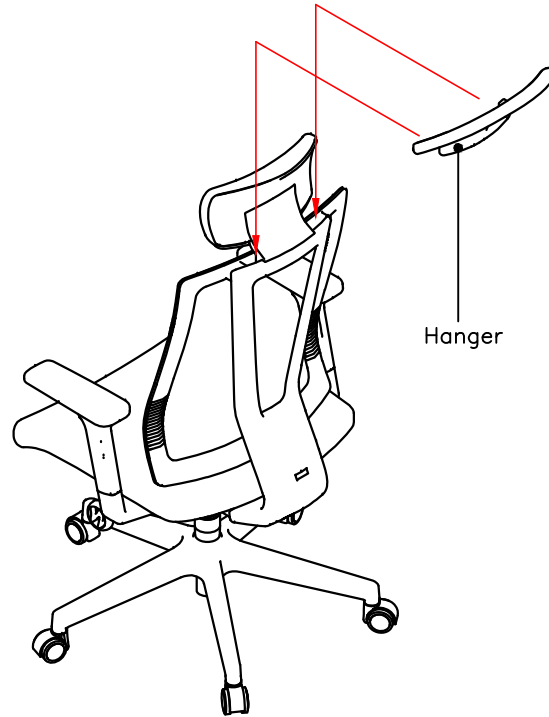


NOTE	Designed by	Checked by	Approved by	Title	<b>G1</b>	
				Model	???	
				Date	2018. 03. 07.	
				<b>DAWON</b> CHAIR®	Unit mm	Scale 1 / 15

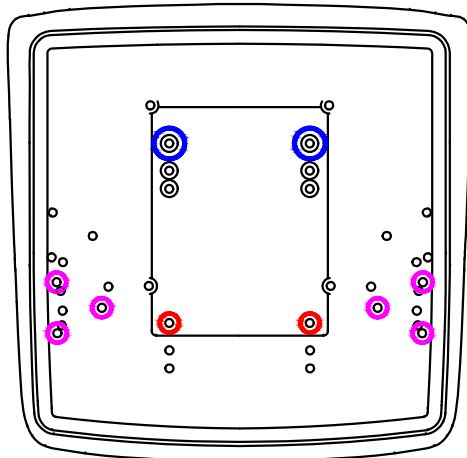
⑦



⑧



(Front)



(Rear)

⑩ M6x45 (6EA)    ⑫ M6x40 (2EA)    ⑪ M6x35 (2EA)

NOTE

Designed by	Checked by	Approved by

Title	<b>G1</b>	
Model	???	
Date	2018. 03. 07.	
<b>DAWON</b> CHAIR®	Unit	Scale
	mm	1 / 15